



Metal Roof Certification & Listing Program

Certification Report



11027-003-KCI

145 Limekiln Road, Suite 100B
New Cumberland, PA 17070
www.keystonecerts.com

Issue Dated: 9/29/2017
Revision Date: 01/23/2018
Expiration Date: 9/29/2022

This Certification Report was used in the qualification of [Florida Product Approval FL23490](#).

Construction Specifications Institute (CSI) Category:

Division: 07 00 00 – Thermal & Moisture Protection

Section: 07 41 13 – Metal Roof Panels

1. Program Licensee:



Mid Florida Metal Roofing Supply, Inc.

28328 County Road 561

Tavares, FL 32778

352-742-7070

<http://www.midfloridametalroofingsupply.com>

2. Certified Roof Covering:

MFMRS Multi-Rib structural through-fastened metal roof panels installed over 2x4 purlins for use in new construction.

3. Scope of Certification:

This Certification Report provides technical data substantiating that the use of the certified roof covering and the evaluated roof systems are in compliance with the following:

- 2017 Florida Building Code - Building, 6th Edition, Section 1504.3.2.
- Florida Product Approval Rule 61G20-3.

Properties Evaluated:

- Wind Uplift Resistance

4. Evaluated Roof System Description:

4.1. **Roof Covering:** MFMRS Multi-Rib metal roof covering panels are cold roll-formed from 29 gauge (0.016" / 0.406mm coated thickness) steel sheet having a minimum yield strength of 90ksi. The panels are aluminum-zinc alloy coated per ASTM A792 (AZ50), and shall be installed in accordance with the manufacturer's instructions and this Certification Report.

4.2. **Roof Deck:** MFMRS Multi-Rib metal roof panels are certified for use over No. 2 nominal 2x4 lumber purlins, maximum 24" O.C., complying with 2017 Florida Building Code, Section 2303.1.1 and as specified in this report, with a minimum roof slope of 25% (3:12).

4.3. **Anchorage:** MFMRS Multi-Rib metal roof panels shall be through-fastened to the specified purlins using #12-8 x 1" HWH Woodgrip XG screws with ½" self-sealing washers applied in the patterns described in Appendix 1.

5. Installation

MFMRS Multi-Rib metal roof panels in new construction applications shall be installed in accordance with the 2017 Florida Building Code Section 1507.4, the manufacturer's published installation instructions and this Certification Report.

The manufacturer's installation instructions shall be made available at the time of installation. If there are differences between this report and the manufacturer's installation instructions, this report shall take precedence.



Metal Roof Certification & Listing Program
Certification Report
 11027-003-KCI



6. Product Performance

The performance of the MFMRS Multi-Rib structural through-fastened metal roof panels described in this Certification Report has been demonstrated via testing in accordance with the following referenced standards:

- ASTM E1592-01, *Standard Test Method for Structural Performance of Sheet Metal Roof and Siding Systems by Uniform Static Air Pressure Difference*

As tested & reported by the following independent accredited laboratory:

| Laboratory | Report Ref. |
|---|---------------|
| PRI Construction Materials Technologies | FAE-008-02-01 |

Note: The ASTM E1592-01 standard is equivalent to the ASTM E1592-05(2012) standard.

7. Wind Resistance

The allowable design uplift pressures for MFMRS Multi-Rib anchored as described in Appendix 1, when tested in accordance with the referenced standards with an applied safety factor of 2.0 are found in Table 1.

Table 1

| Description | Max Design Uplift Pressure |
|--|----------------------------|
| 29 Ga, 90ksi Steel Over No. 2 Nominal 2x4 Purlins Maximum 24" O.C. | 105.0 psf |

8. Conditions of Use

MFMRS Multi-Rib structural through-fastened metal roof panels must be insulated against other materials or metals including concrete, lead, copper and treated lumber that contains corrosive materials.

9. Limitations of Use

MFMRS Multi-Rib non-structural through-fastened metal roof panels are not qualified for use in the High Velocity Hurricane Zone (HVHZ).

Fire classification, shear diaphragm design and purlin attachment to supporting members are not within the scope of this Certification Report.

Roof support framing shall comply with 2017 Florida Building Code Chapter 22 for steel, Chapter 23 for wood and Chapter 16 for structural loading.

10. Licensed Manufacturing Facilities

This Certification Report is applicable only to MFMRS Multi-Rib structural through-fastened metal roof panels manufactured at the following locations. Each licensed facility is subject to periodic inspection by Keystone Certifications to verify conformance with Keystone Roof Covering Certification & Listing Program requirements:

| |
|---|
| Mid Florida Metal Roofing Supply, Inc. 28328 County Road 561 Tavares, Florida 32778 |
|---|



Metal Roof Certification & Listing Program

Certification Report

11027-003-KCI



11. Identification

MFMRs Multi-Rib structural through-fastened metal roof panels represented by this report shall be identified with Keystone Roof Covering Certification & Listing Program certification labeling illustrated below, to be applied to individual panels, packaging, invoicing or bills of lading:

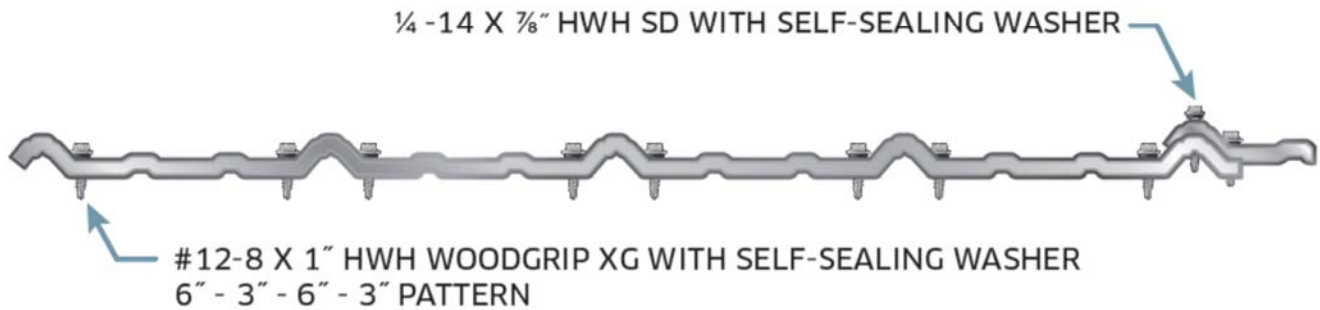


Aaron Shultz
Validations Manager

Appendix 1

Multi-Rib Panel Open Frame Fastener Location

Anchored to 2x4 Purlins Maximum 24" O.C.





Metal Roof Certification & Listing Program

Certification Report

11027-003-KCI



145 Limekiln Road, Suite 100B
New Cumberland, PA 17070
www.keystonecerts.com

Issue Dated: 9/29/2017
Revision Date: 01/23/2018
Expiration Date: 9/29/2022

Certificate Revisions

| Rev # | Date | Description |
|-------|------------|-------------------------|
| 0 | 9/29/2017 | Initial issuance. |
| 1 | 01/23/2018 | Added Hyperlink FL23490 |