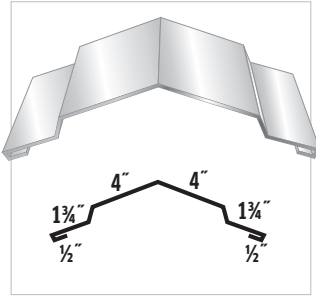
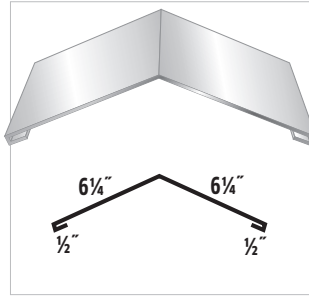


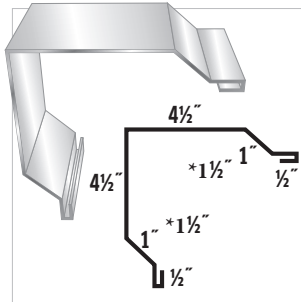
# FLASHING PROFILES



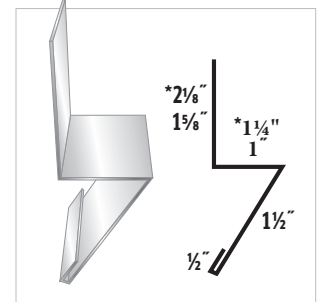
**#1 (R) Universal Ridge Cap**  
**#1 (H) Universal Hip Cap**



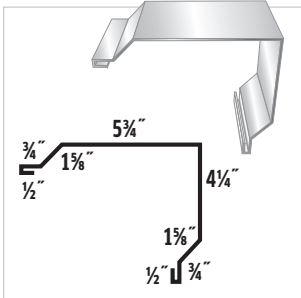
**#2 (R) Standard Ridge Cap**  
**#2 (H) Standard Hip Cap**



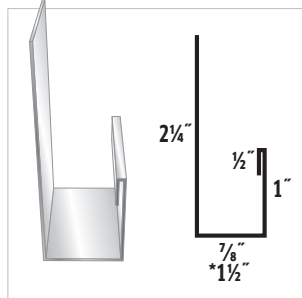
**#3 Rake & Corner (AG)**  
**#78 Rake & Corner (\*PBR)**



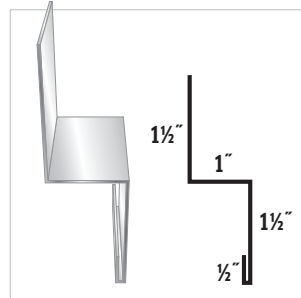
**#4 Base Angle (AG)**  
**#5 Base Angle (\*PBR)**



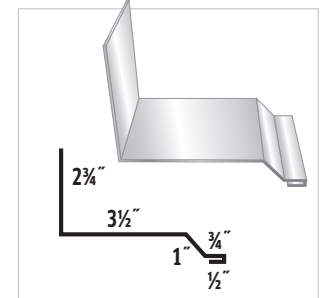
**#7 Gable Trim**



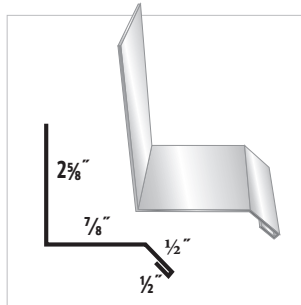
**#8 "J" Trim (AG)**  
**#9 "J" Trim (\*PBR)**



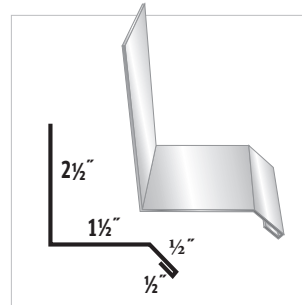
**#10 Double Angle**



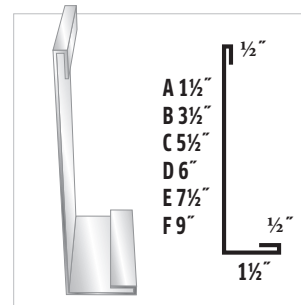
**#11 Universal Sidewall**



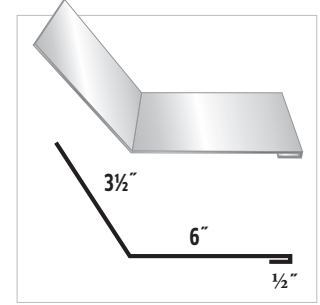
**#12 Drip Cap (AG)**



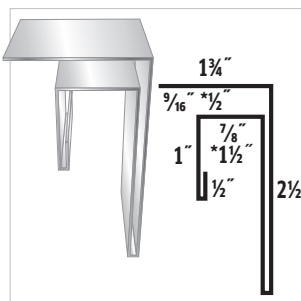
**#13 Drip Cap (PBR)**



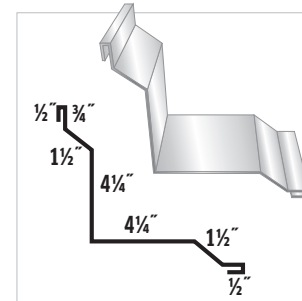
**#14 Post Trim**



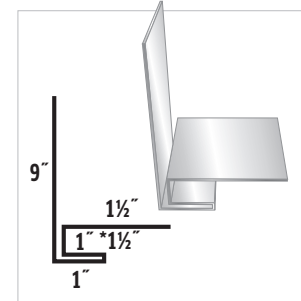
**#15 Universal Endwall**



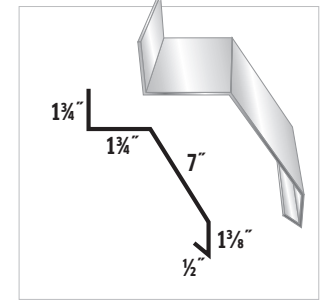
**#16 "F" & "J" (AG)**  
**#17 "F" & "J" (\*PBR)**



**#18 Inside Corner**

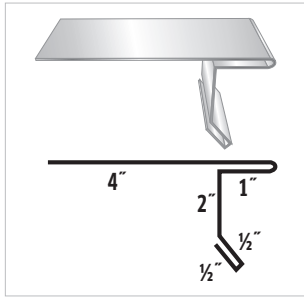


**#19 Overhead Door Trim (AG)**  
**#20 Overhead Door Trim (\*PBR)**

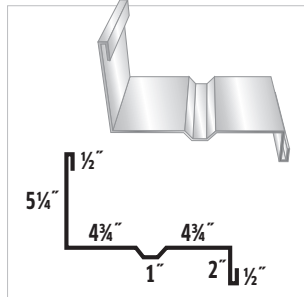


**#21 Face Mount Cannon-cover**

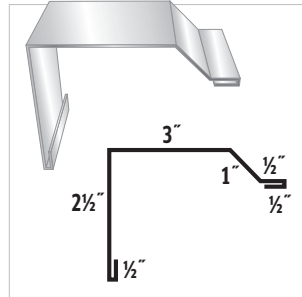
# FLASHING PROFILES



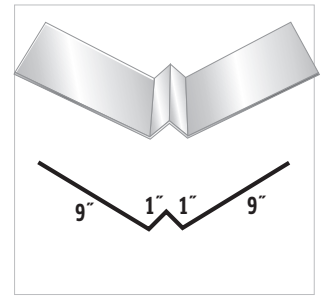
#22 "F" Trim



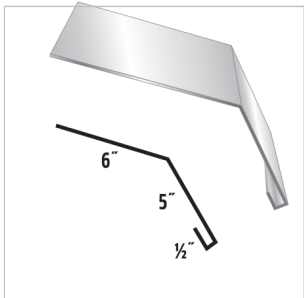
#23 One Piece Fascia & Soft



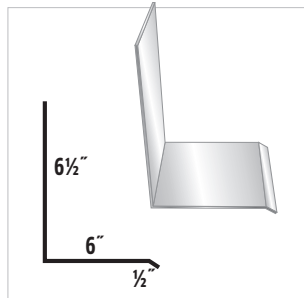
#24 Residential Rake



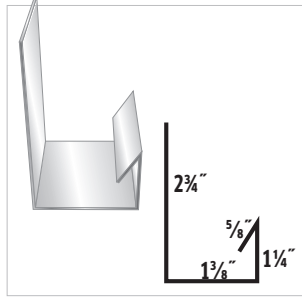
#25 Formed Valley



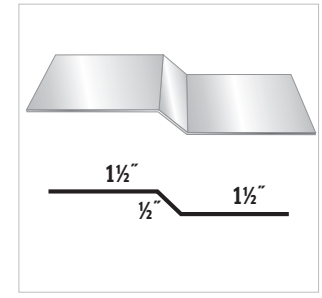
#27 Notched Gambrel



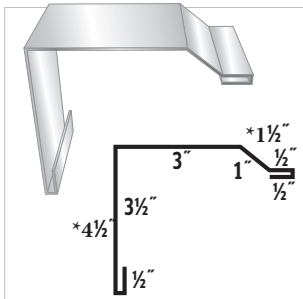
#28 "L" Flashing



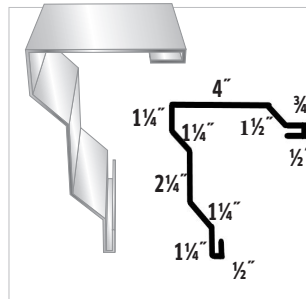
#29 Jamb Trim



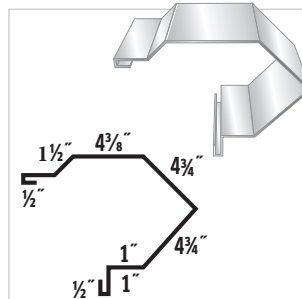
#30 Offset Cleat



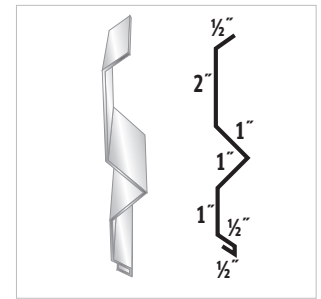
#31 Extended Rake (AG)  
#79 Extended Rake (\*PBR)



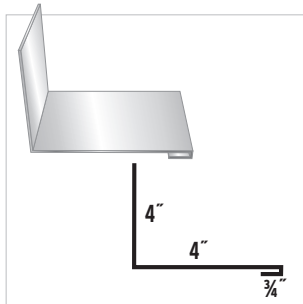
#32 Sculptured Rake



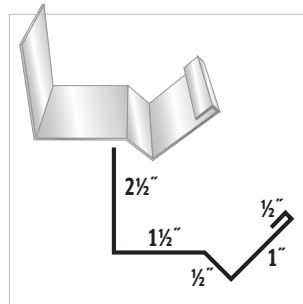
#33 Commercial Rake



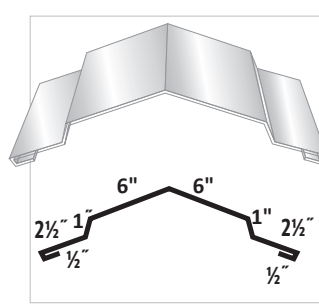
#34 Headwall Counter Flashing



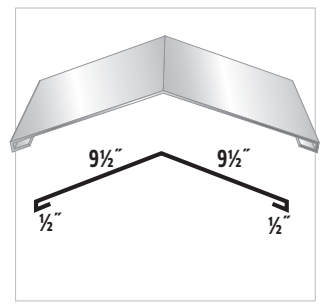
#37 SS Sidewall



#38 Header Trim

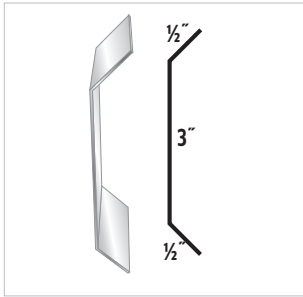


#39 XL Universal Ridge Cap

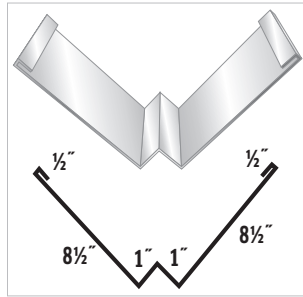


#40 XL Standard Ridge

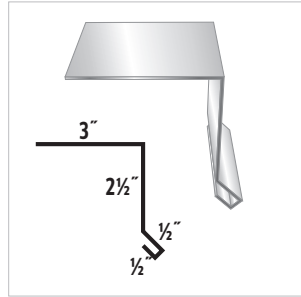
# FLASHING PROFILES



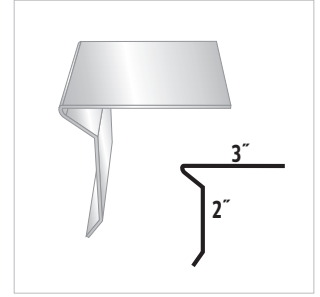
**#41 Stucco Stop**



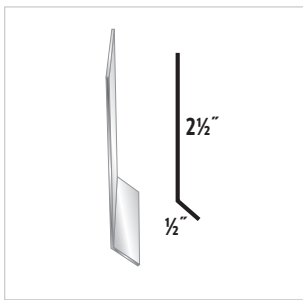
**#42 SS Valley**



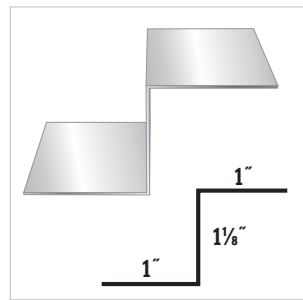
**#44 Small Eave**



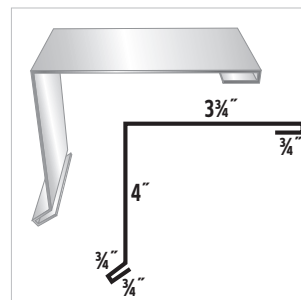
**#45 Eave Trim**



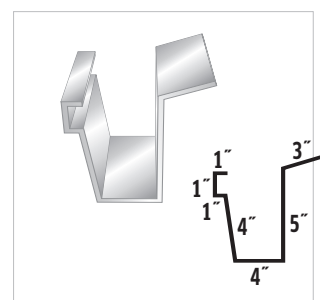
**#47 Cleat**



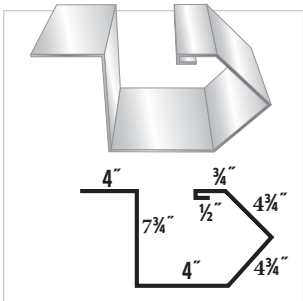
**#48 Z Flashing**



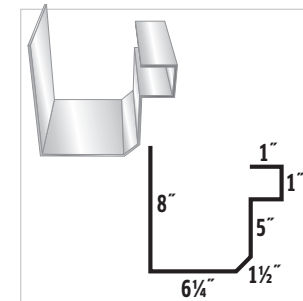
**#49 Gable Rake Trim**



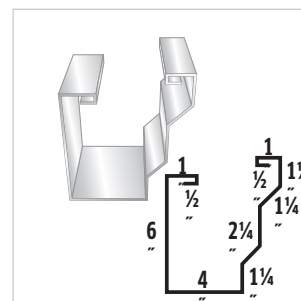
**#50 Eave Gutter - Small**



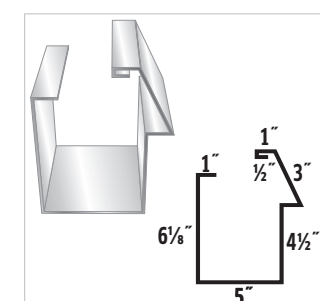
**#51 LG Eave Gutter**



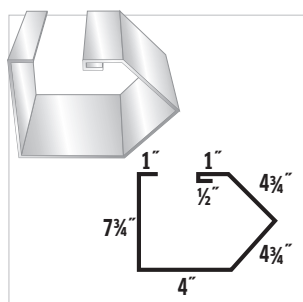
**#52 Commercial Gutter**



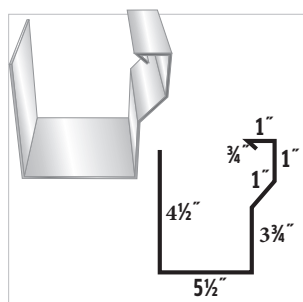
**#53 Sculptured Gutter**



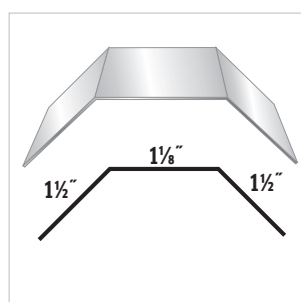
**#54 Commercial Gutter**



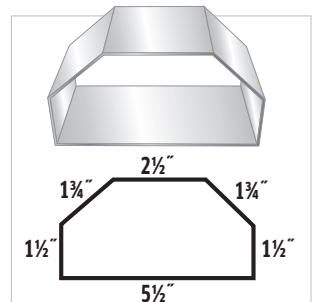
**#55 Commercial Gutter**



**#56 Gutter**

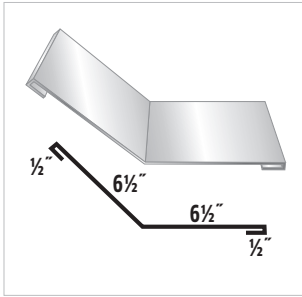


**#58 PBR Gutter Hanger**

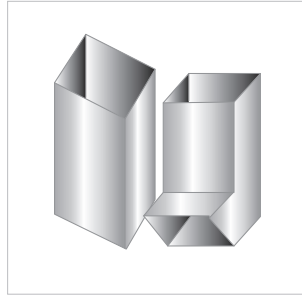


**#65 Sculptured Downspout**

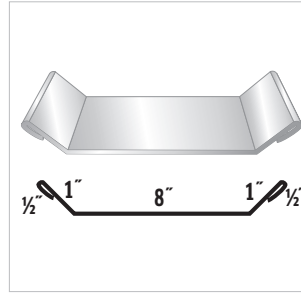
# FLASHING PROFILES



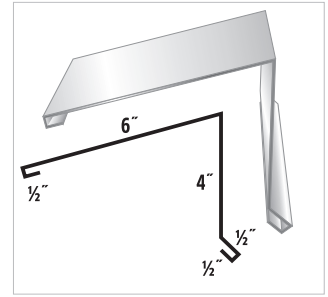
**#67 Transition Flashing**



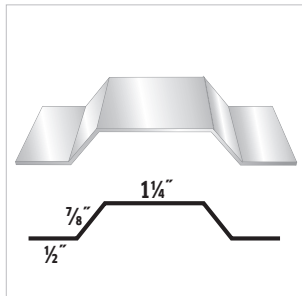
**Downspouts    Elbows**  
 #60 4x5        #68 4x5  
 #61 3x5        #69 3x5  
 #62 4x4        #70 4x4  
 #63 3x4        #71 3x4



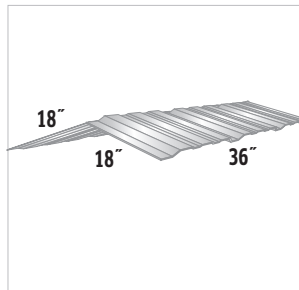
**#77 Valley Cover**



**#80 Peak Cap**



**#82 Hat Channel**



**PBR Ridge Cap**